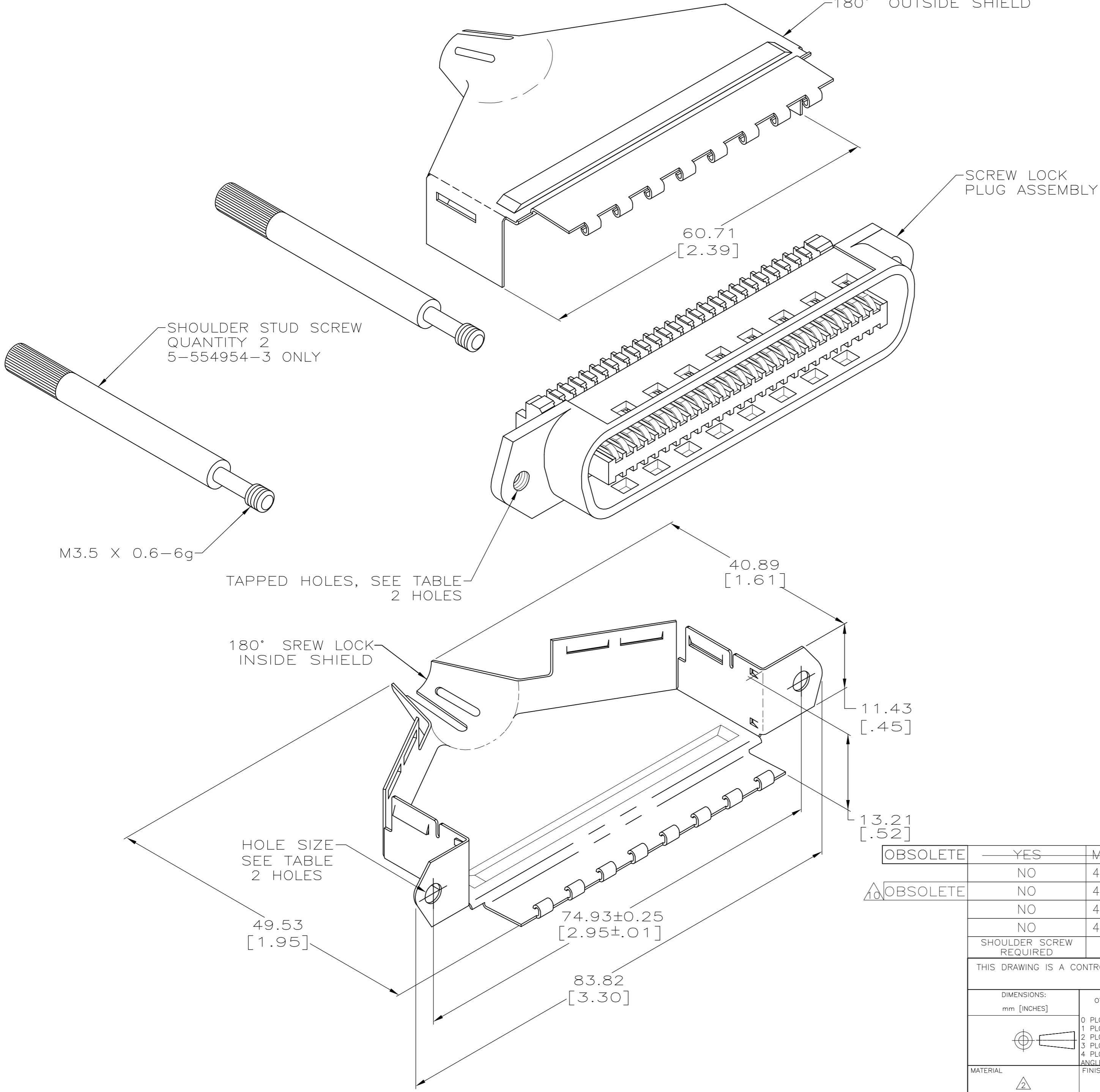


THIS DRAWING IS UNPUBLISHED. RELEASED FOR PUBLICATION  
 © COPYRIGHT - By - ALL RIGHTS RESERVED.

LOC	DIST	REVISIONS					
GP	00	P	LTR	DESCRIPTION	DATE	DWN	APVD
		J2		REVISED PER ECO-11-005140	28MAR11	RK	HMR



- THIS KIT SHIPPED NOT ASSEMBLED.
- MATERIAL: SHIELDS - BRIGHT NICKEL PLATED CARBON STEEL.  
 PLUG HOUSING - POLYPHENYLENE OXIDE, BLACK.  
 TERMINAL - HIGH STRENGTH COPPER ALLOY PLATED WITH 0.76µm [.000030] MIN GOLD OR GOLD FLASH OVER PALLADIUM NICKEL PLATE, 0.76µm [.000030] MIN TOTAL ON MATING SURFACE. 1.27µm [.000050] MIN NICKEL UNDERPLATE OVER ENTIRE TERMINAL.
- WIRE SIZE: 26-27-28 AWG 7 STRANDS OF COPPER CONDUCTORS. MAXIMUM INSULATION DIAMETER OF 1.14 [.045] IS ACCEPTABLE FOR MOST APPLICATIONS.
- CABLE RANGE: Ø8.89-15.88 [.350-.625].
- CENTER-TO-CENTER SPACING OF TERMINALS 2.16 [.085] NOMINAL.
- WIRE SIZE: 24 OR 26 AWG SOLID OR 24 AWG 7 STRANDS OF COPPER CONDUCTORS. MAXIMUM INSULATION DIAMETER OF 1.14 [.045] IS ACCEPTABLE FOR MOST APPLICATIONS.
- DIMENSIONS ARE MAXIMUM UNLESS OTHERWISE SPECIFIED.
- PACKAGED 1 KIT PER POLYBAG.
- BULK PACKAGED 500 KITS PER CONTAINER.
- OBSOLETE PARTS: OBSOLETE CIS STREAMLINING PER D.RENAUD/D.SINISI

OBSOLETE	YES	M3.5x0.6-6G	3.56-3.81 [.140-.150]	9	E	3	5-554954-3
	NO	4-40 UNC-2B	3.18-3.43 [.125-.135]	9	B	6	5-554954-2
10 OBSOLETE	NO	4-40 UNC-2B	3.18-3.43 [.125-.135]	9	E	3	5-554954-1
	NO	4-40 UNC-2B	3.18-3.43 [.125-.135]	8	B	6	554954-2
	NO	4-40 UNC-2B	3.18-3.43 [.125-.135]	8	E	3	554954-1
SHOULDER SCREW REQUIRED		TAPPED	HOLE SIZE DIAMETER	PACKAGED	SLOT SIZE	WIRE SIZE	PART NUMBER

THIS DRAWING IS A CONTROLLED DOCUMENT.

DWN T. CANTY 11-APR-86  
 CHK B. FOX 19-MAY-86  
 APVD B. HUTCHENS 27-MAY-86

TE Connectivity

PLUG KIT, 50 POSITION, SCREW LOCK, WITH 4-40 HOLES, SHIELDED CHAMP

SIZE A2 CAGE CODE 00779 C=554954 DRAWING NO. RESTRICTED TO

MATERIAL FINISH WEIGHT SCALE 2:1 SHEET 1 of 1 REV J2

CUSTOMER DRAWING

554954